



# △ REF No. PART No. PART NAME, DESCRIPTION  
 \*\*\*\*\*

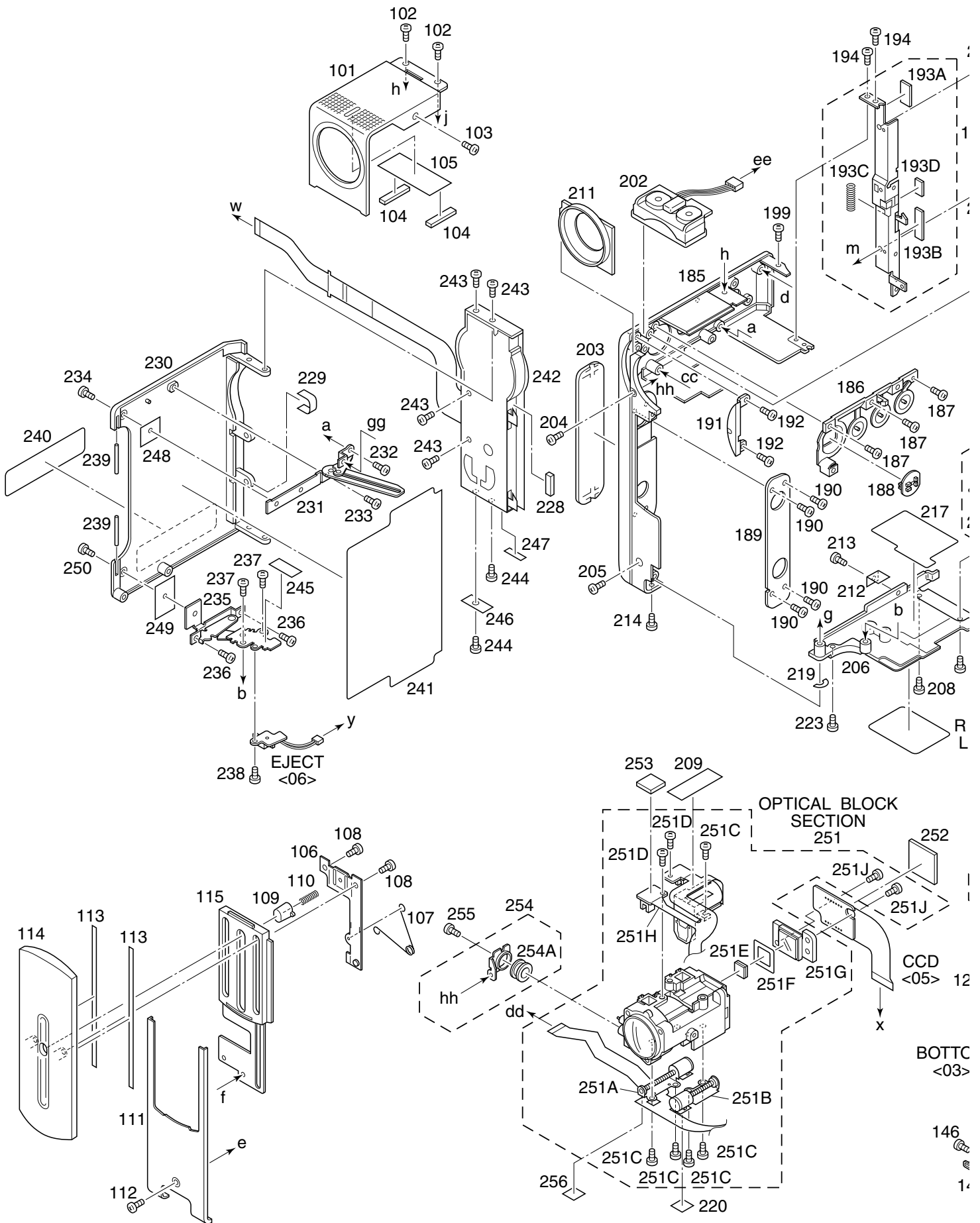
**PACKING AND ACCESSORY ASSEMBLY <M1>**

1	LY32275-004A	PACKING CASE
2	LY20763-001A	CUSHION
3	LY30023-003A	POLY BAG
△ 4	LY32203-001A	BATTERY PACK,BN-V107U
△ 5	LY20754-010A	AC POWER ADAPTER/CHARGER,AA-V100KR
6	LY20755-004A	DOCKING STATION,CU-V507U
7	LY20750-001A	REMOTE CONTROL UNIT,RM-V717U
8	LY32210-004A	CD ROM
9	LY20762-001B	GRIP BELT
10	LY20765-001B	STRAP
11	QAM0342-002	MEMORY CARD
14	LY32226-001A	DC CORD
15	QQR0491-002	CORE FILTER,X2
16	QAM0346-001	CABLE ASSY,AUDIO/VIDEO CABLE
17	QQR0918-002	CORE FILTER
18	PEAC0428-150	CABLE ASSY,EDITING CABLE
19	QQR0491-002	CORE FILTER
20	-	BATTERY,AAA(R03),X2
21	QPA01703005	POLY BAG
22	QAM0213-001	AUDIO CABLE
23	QQR1081-002	CORE FILTER
25	QPA02003006	POLY BAG
△ 26	LYT0845-001A	INST.BOOK(KO)
△ 27	LYT0771-001A	INST.BOOK(SOFT.KO)
28	LYT0378-003A	SHEET(AGREMENT)
32	LYT0845-002A	SHEET(A.CABLE)
33	BT-56010-1	WARRANTY CARD

- INSTRUCTIONS  
 KO ..... KOREAN

# △ REF No. PART No. PART NAME, DESCRIPTION

5.2 FINAL ASSEMBLY <M2>

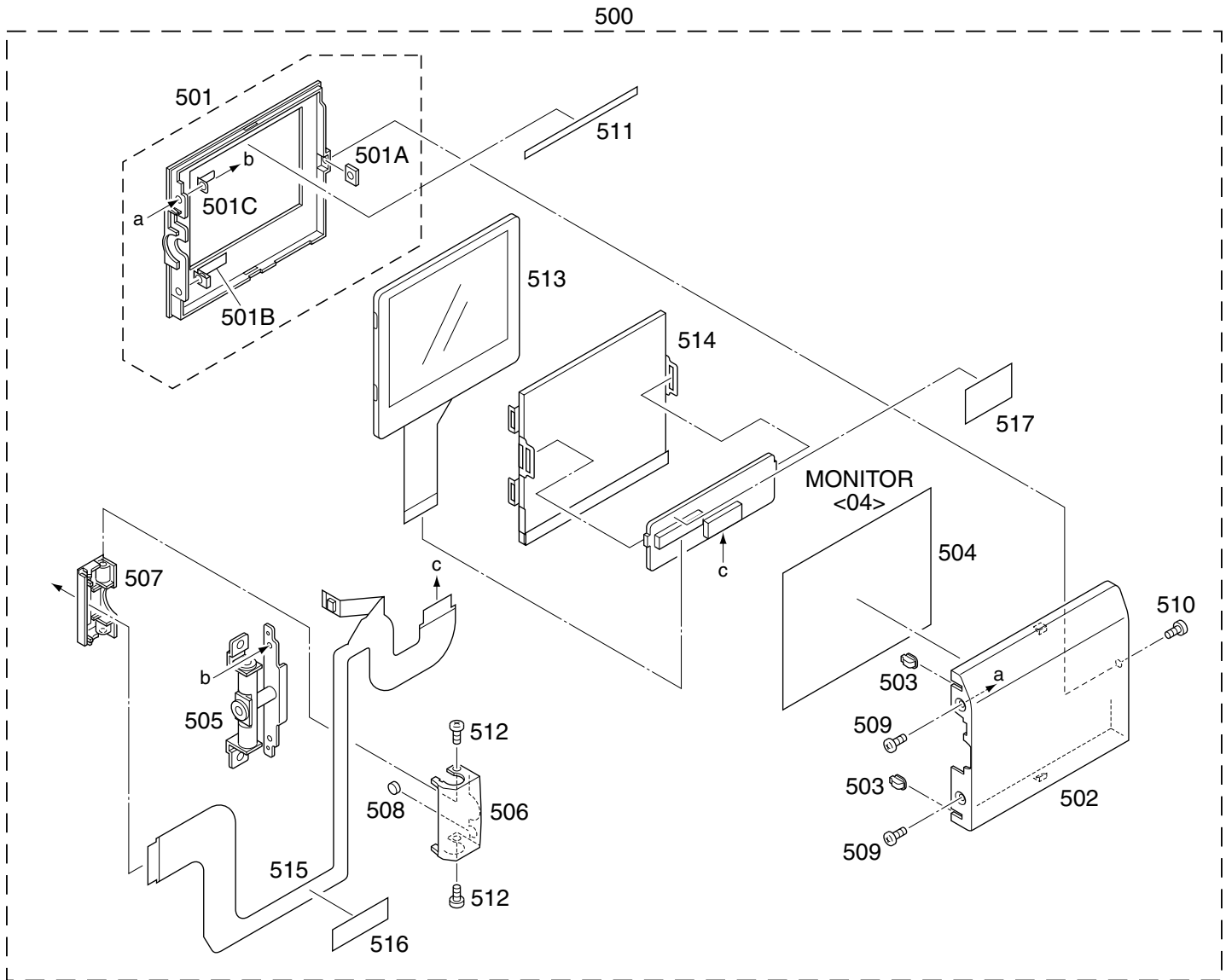




#	△ REF No.	PART No.	PART NAME, DESCRIPTION
*****			
<b>FINAL ASSEMBLY &lt;M2&gt;</b>			
101		LY20759-001A	COVER(MIC)
102		LY30018-0A3A	SPECIAL SCREW,X2
103		LY30018-0A2A	SPECIAL SCREW
104		LY30029-0L7A	SPACER(A),X2
105		LY43164-001A	SHEET(MIC)
106		LY43106-001B	S.PLATE(B)ASSY
107		LY43225-001A	TORSION SPRING
108		LY30018-0D2A	SPECIAL SCREW,X2
109		LY32260-001D	KNOB(SHUTTER)
110		LY30002-022A	COMPRESSION SPRING
111		LY32228-001B	COVER(UNDER)
112		LY30018-0A2A	SPECIAL SCREW
113		LY30029-0P1A	SPACER(A),X2
114		LY43102-004A	COVER(SHUT)ASSY
115		LY43104-001D	GUIDE(SHUT)ASSY
120		LY32246-001A	COVER(SHOE)
121		LY30018-0A2A	SPECIAL SCREW,X2
122		LY30018-055A	SPECIAL SCREW
123		LY30029-0N5A	SPACER(A)
124		LY43196-001A	SHEET(UPEER)
125		LY32292-001E	UPPER CASE ASSY
125A		LY43210-002A	LABEL(UPPER)
126		LY32265-001C	GUIDE(MONI)
127		LY43126-001D	J.COVER(DV)ASSY
128		LY30029-0P7A	SPACER(A)
130		LY43064-001B	KNOB(LOCK) ASSY
130A		LY43081-001A	SHAFT(LOCK)
130B		LY43080-001A	TOR.SPRING(LOCK)
130C		LY43079-001A	BRACKET(LOCK)
131		LY32198-001B	SUB OPE
132		LY30018-081A	SPECIAL SCREW
133		LY30018-063A	SPECIAL SCREW
134		LY30018-092A	SPECIAL SCREW,X2
135		LY43134-001C	COVER(JIG)ASSY
135A		LY42350-002A	FOOT
136		LY30018-055A	SPECIAL SCREW
137		LY30018-031A	SPECIAL SCREW,X2
138		LY30018-099A	SPECIAL SCREW,X2
139		LY32253-001B	BASE
140		LY43107-001A	SHAFT
141		LY43224-001A	SPACER(BASE)ASSY
141A		LY43221-001A	S.SHEET(S.BASE)
142		LY41701-004A	SHEET(CAUTION)1
143		LY42163-002B	SHEET(CAUTION)2
144		LY42350-002A	FOOT,X4
145		LY32254-001A	BRACKET(BOTTOM)
146		LY30018-0E4A	SPECIAL SCREW,X2
147		LY30029-0K6A	SPACER(A)
148		LY43176-001A	SHEET(UPPER)1
149		LY43177-001A	SHEET(UPPER)2
150		LY30018-055A	SPECIAL SCREW,X2
151		LY30018-055A	SPECIAL SCREW
152		LY30018-065A	SPECIAL SCREW
153		LY30018-055A	SPECIAL SCREW
154		LY30018-019A	SPECIAL SCREW
155		LY30018-0D5A	SPECIAL SCREW,X2
156		LY43127-003A	STICKER(MONI.)
165		LY43074-001C	BRACKET(MECHA)ASSY
165A		LY42796-001A	BUSH,X3
166		LY30019-028A	SPECIAL SCREW,X3
168		LY43190-001A	SHIELD ASSY
168A		LY42189-001A	SPACER
169		LY30018-005A	SPECIAL SCREW,X2
170		LY43083-001A	BRACKET(PRE-REC)
171		QYSPSPT1414M	SCREW
172		LY43159-001B	SHEET(SHUTTER)
173		LY32001-002A	LABEL(HOUSING)
174		LY40699-002A	LABEL(PUSH)
183		LY43228-001A	SHEET(HOT SHOE)
184		LY30029-0Q7A	SPACER(A)
185		LY20756-001C	LOWER CASE
186		LY32239-001C	BUTTON(FUNC.)
187		LY30018-065A	SPECIAL SCREW,X3
188		LY43056-001B	KNOB(FUNC.)
189		LY43114-001A	PLATE(C.C.HINGE)
190		LY30018-081A	SPECIAL SCREW,X4
191		LY43125-001A	WINDOW(W/B)ASSY

#	△ REF No.	PART No.	PART NAME, DESCRIPTION
192		LY30018-065A	SPECIAL SCREW,X2
193		LY32280-001C	BATTERY LOCK ASSY
193A		LY30029-0K9A	SPACER(A)
193B		LY30029-0N1A	SPACER(A)
193C		LY30002-038A	COMPRESSION SPRING
193D		LY30029-0M9A	SPACER(A)
194		LY30018-031A	SPECIAL SCREW,X2
195		LY31998-002A	HOT SHOE
196		QAL0358-001	FPC.AUDIO CN202-HOT SHOE
197		LY32262-001B	BRACKET(H.S)
198		LY30018-081A	SPECIAL SCREW,X4
199		LY30018-081A	SPECIAL SCREW,X3
200		LY30018-055A	SPECIAL SCREW,X4
201		LY30018-065A	SPECIAL SCREW
202		LY32197-001C	MICROPHONE
203		LY32247-001A	COVER(M.ADJ)
204		LY30018-065A	SPECIAL SCREW
205		LY30018-055A	SPECIAL SCREW
206		LY20760-001F	BOTTOM COVER
207		LY32279-003A	COVER(SD)ASSY
207A		LY32242-002A	BRACKET(SD)
207B		LY43111-001A	SHAFT(SD.COVER)
207C		LY43047-001B	TORSION SPRING
208		LY30018-081A	SPECIAL SCREW,X2
209		LY30029-0K5A	SPACER(A),X2
211		LY32255-001C	HOOD
212		LY43169-001B	HOLDER(SD CON)
213		LY30018-0E1A	SPECIAL SCREW
214		LY30018-065A	SPECIAL SCREW
215		LY30018-081A	SPECIAL SCREW
216		QYSPSPT1725D	SCREW
217		LY43084-001A	SHEET(B.COVER)
218		LY30018-065A	SPECIAL SCREW
219		LY43216-001A	SPACER(LOW-BOTT)
220		LY30029-0L3A	SPACER(A),X2
222		LY30018-081A	SPECIAL SCREW,X2
223		LY30018-0A3A	SPECIAL SCREW
225		LY30029-0R1A	SPACER(A)
226		LY30017-029A	SPACER-B
228		LY30029-0Q2A	SPACER(A)
229		LY30029-0Q5A	SPACER(A)
230		LY20757-001B	CASSETTE COVER
231		LY32244-001B	ARM ASSY(1)
232		LY30018-031A	SPECIAL SCREW
233		LY30018-081A	SPECIAL SCREW
234		LY30018-0E3A	SPECIAL SCREW
235		LY32245-001B	ARM ASSY(2)
236		LY30018-081A	SPECIAL SCREW,X2
237		LY30018-081A	SPECIAL SCREW,X2
238		LY30018-081A	SPECIAL SCREW
239		LY43113-001A	SHAFT(C.COVER),X2
△ 240		LY43226-003A	LABEL(EMC)
241		LY43055-001B	SHEET(C.COVER)
242		LY20749-001B	OPE.COVER UNIT
243		LY30018-065A	SPECIAL SCREW,X4
244		LY30018-081A	SPECIAL SCREW,X2
245		LY30029-0L5C	SPACER(A)
246		LY43198-001B	SHEET(OPE-SD)
247		LY30029-0N8A	SPACER(A)
248		LY43200-001A	SHEET(ARM1)
249		LY43201-001A	SHEET(ARM2)
250		LY30018-0E3A	SPECIAL SCREW
252		LY43160-001A	SHEET(CCD PWB)
253		LY30029-0P6A	SPACER(A)
254		LY43075-001C	OP BRACKET ASSY
254A		LY41675-001A	RUBBER
255		LY30018-0D7A	SPECIAL SCREW
256		LY30029-0L4A	SPACER(A)
<b>- OPTICAL BLOCK SECTION -</b>			
251		J0D-101A	OPTICAL BLOCK ASSY
251A		LY32158-001A	ZOOM MOTOR
251B		LY32157-001A	FOCUS MOTOR
251C		LY30727-006B	SCREW,X5
251D		LY30727-001A	SCREW,X2
251E		LY42983-001A	OPTICAL LFP
251F		LY42948-001B	SHEET
251G		LYH40167-001A	CCD BASE ASSY
251H		LY32162-001A	IRIS UNIT
251J		QYSPSGU1740Z	SCREW,X2

5.3 MONITOR ASSEMBLY <M5>



# Δ REF No. PART No. PART NAME, DESCRIPTION  
 \*\*\*\*\*

**MONITOR ASSEMBLY <M5>**

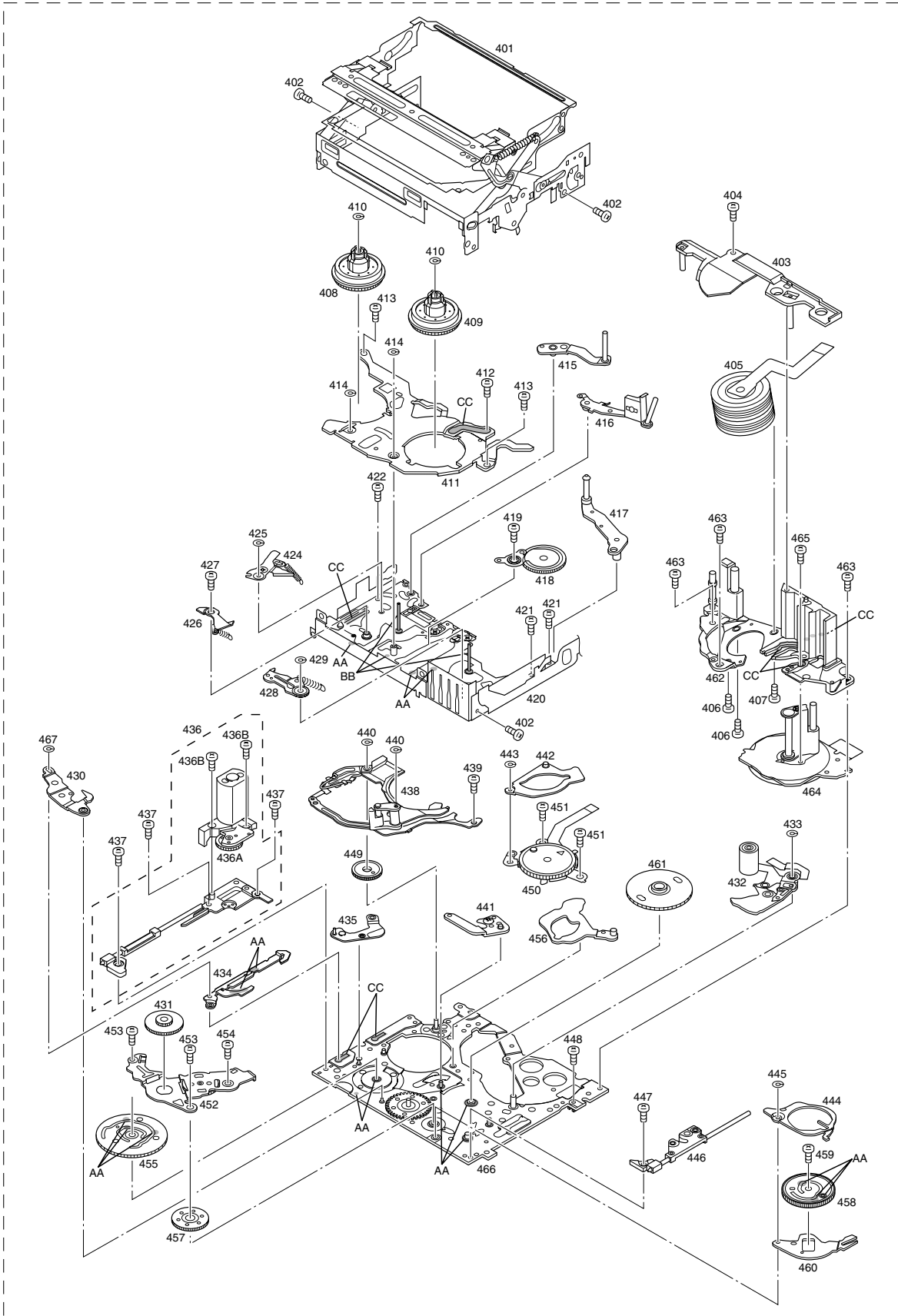
# Δ	REF No.	PART No.	PART NAME, DESCRIPTION
Δ	500	LYH20289-001C	MONITOR ASSY
	501	LY32263-001C	MONITOR CASE ASSY
	501A	LY40162-001A	BRACKET
	501B	LY43202-001A	EARTH(MONI.2)
	501C	LY43077-001B	EARTH(MONI.)
Δ	502	LY10297-001C	MONITOR COVER
	503	LY43078-001B	RIB(MONI.),X2
	504	LY43085-001A	SHEET(M.COVER)
	505	LY32230-001B	HINGE ASSY

# Δ REF No. PART No. PART NAME, DESCRIPTION  
 \*\*\*\*\*

	506	LY32267-001A	HINGE COVER(U)
	507	LY32268-001A	HINGE COVER(L)
	508	LY42355-001A	MAGNET
	509	LY30018-0D3A	SPECIAL SCREW,X2
	510	LY30018-081A	SPECIAL SCREW
	511	LY30029-0M8A	SPACER(A)
	512	LY30018-087A	SPECIAL SCREW,X2
	513	QLD0131-001	LCD MODULE
	514	QLL0097-001	BACK LIGHT
	515	LY32282-001B	FPC ASSY(MONI)
	516	LY43214-001A	SHEET(MONI.FPC)
	517	LY30029-0R7A	SPACER(A)

5.4 MECHANISM ASSEMBLY <M3>

400



Classification	Part No.	Symbol in drawing
Grease	KYODO-SH-P	AA
Oil	YTU94027	BB
Grease (HANARL)	RX-410R	CC

**NOTE:**The section marked in **AA** and **BB**, **CC** indicate lubrication and greasing areas.

# △ REF No. PART No. PART NAME, DESCRIPTION  
 \*\*\*\*\*

**MECHANISM ASSEMBLY <M3>**

400	YMA0029B	MECHA(A)ASSY
401	LY31543-002C	CASSETTE HOUSING ASSY
402	YQ43893-8	MINI SCREW,X3
403	LY31542-001F	UPPER BASE ASSY
404	YQ43893	MINI SCREW
405	YDV2096B	DRUM ASSY
406	LY42820-001A	DAMPER SCREW ASSY,X2
407	LY42820-002A	DAMPER SCREW ASSY
408	LY31538-001B	REEL DISK ASSY
409	LY31538-002B	REEL DISK ASSY
410	YQ44246	SLIT WASHER,X2
411	LY10217-001A	REEL COVER ASSY
412	LY42120-001A	MINI SCREW
413	LY41945-003A	MINI SCREW,X2
414	YQ44246	SLIT WASHER,X2
415	LY42025-001C	TENSSION ARM ASSY
416	LY31535-001C	SLANT POLE ARM ASSY
417	LY42031-001C	TU ARM ASSY
418	LY31531-001B	SWING ARM ASSY
419	YQ43893	MINI SCREW
420	LY20530-002B	SLIDE DECK FINAL ASSY
421	YQ43893	MINI SCREW,X2
422	LY43023-001A	MINI SCREW
424	LY31533-001D	PAD ARM ASSY
425	YQ44246	SLIT WASHER
426	LY42014-001A	SUP BRAKE ASSY
427	LY43023-001A	MINI SCREW
428	LY42016-001A	TU BRAKE ASSY
429	YQ44246	SLIT WASHER
430	LY41959-001A	TENSION CONTROL LEVER ASSY
431	LY31525-001A	CENTER GEAR
432	LY31516-001B	PINCH ROLLER ARM FINAL ASSY
433	YQ44246	SLIT WASHER
434	LY41956-001C	TENSION CONTROL PLATE ASSY
435	LY41962-001B	BRAKE CONTROL LEVER ASSY
436	LY20525-002A	MONITOR BRACKET ASSY
436A	QAR0138-001	LOADING MOTOR
436B	LY41940-001A	TAPPING SCREW,X2
437	YQ43893	MINI SCREW,X3
438	LY20528-001H	GUIDE RAIL ASSY
439	YQ43893	MINI SCREW
440	YQ44246	SLIT WASHER,X2
441	LY31498-002B	SLIDE LEVER2 ASSY
442	LY41965-001A	LOADING PLATE ASSY
443	YQ44246	SLIT WASHER
444	LY31522-001A	EJECT LEVER
445	YQ44246	SLIT WASHER
446	LY41929-001A	BASE R ASSY
447	YQ43893	MINI SCREW
448	LY41945-001A	MINI SCREW
449	LY41930-001A	MODE GEAR
450	QSW0876-002	ROTARY ENCODER
451	YQ43893	MINI SCREW,X2
452	LY31524-001A	GEAR COVER ASSY
453	YQ43893	MINI SCREW,X2
454	YQ43893-4	MINI SCREW
455	LY41948-001B	MAIN CAM ASSY
456	LY41941-001A	SLIDE ARM ASSY
457	LY41951-001A	CONNECT GEAR 2

# △ REF No. PART No. PART NAME, DESCRIPTION

458	LY41954-001A	SUB CAM ASSY
459	LY42120-001A	MINI SCREW
460	LY41952-001A	CNTLROL ARM ASSY
461	LY31523-001A	REEL GEAR 1
462	LY31508-001B	DRUM BASE ASSY
463	QYSPSPU1425M	SCREW,X3
464	QAR0142-001	CAPSTAN MOTOR
465	YQ43893	MINI SCREW
466	LY10210-001C	MAIN DECK ASSY
467	YQ44246	SLIT WASHER